

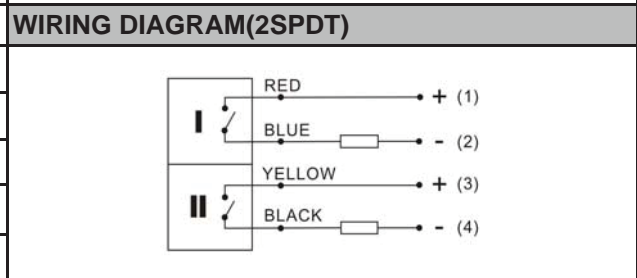
CORELINE Data Sheet

PRODUCT NAME	
Valve Indicator	
MODEL NO.	
Fig.704	
DESCRIPTION OF THE PRODUCT	
<p>Fig.704 Valve Indicator is a rotary position indication device, which use two reed switches and two permanent magnets. They are encased in a plastic housing for protection and ease of mounting. The reed switches mounted on the top of actuator and the permanent magnets mounted on the stem of the actuator. Each switch and magnet complete a circuit when the actuator/valve closed/opened. The circuit breaks when the actuator/valve opened/closed. This device can senses mechanical position (on/off) of valve for remote PLC or PC indication. The visual indicator on the top of the device can also clearly display the valve position for local detection.</p>	

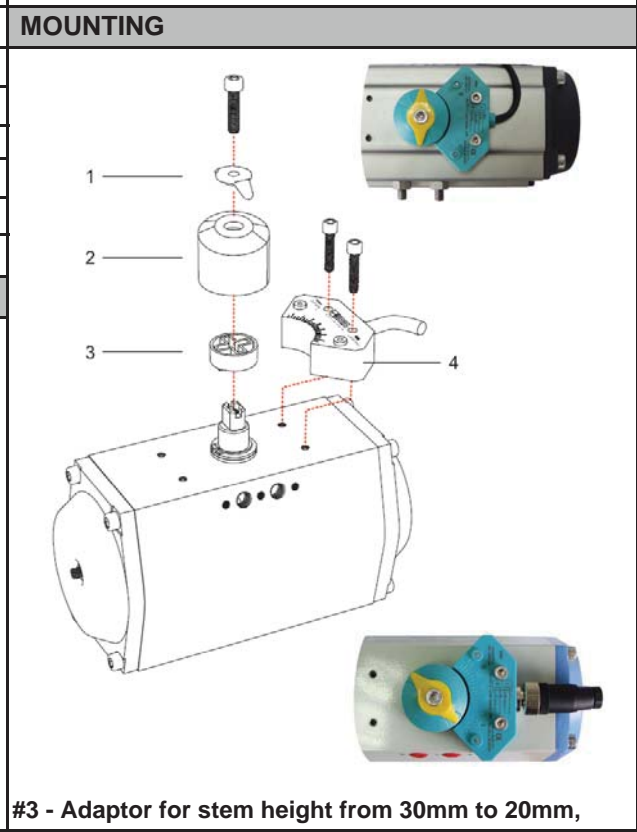
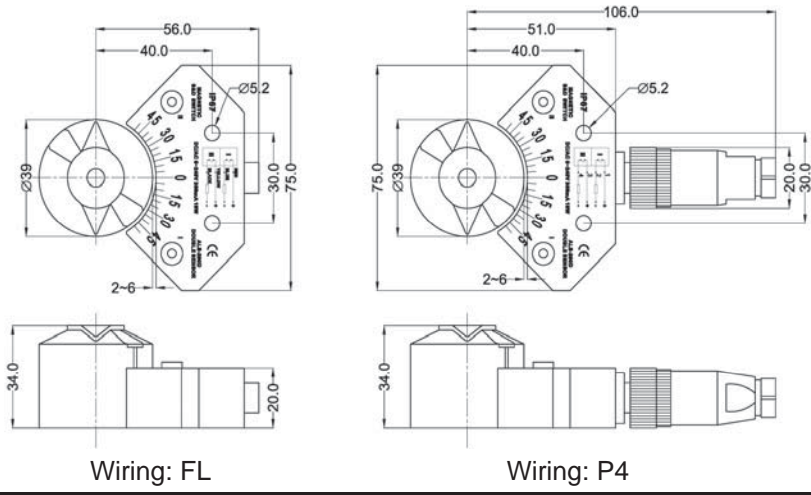


SPECIFICATIONS AND TECHNICAL DATA	
Encase material	ABS
Contact form	Normally Open(NO)
Output type	2 wire
Switching capacity	1W - 10W
Switching voltage	5 - 240VAC/VDC
Switching current	0 - 300mA
Switching frequency	0 - 4.8KHz
Sensor position	-45°/+45° ±10°
Operating Temp.	-40°C - 85°C
Proximity distance	1 - 6mm
Mounting	Standard: 30 x 80 H:20, 30 Requiring: 30 x 130 H:20, 30
Fasteners	Stainless steel
Wiring	-FL: Flying lead(70mm)
(1-red,2-blue,3-yellow,4-black)	-P4: M12-4P wiring connector

APPROVED BY		
CE	IP 67	NEMA 4.4X



DRAWING AND DIMENSION



WUXI CORELINE VALVE CO., LTD.
 Add: No.210 Xinyuan Road, Ehu Industrial Park, 214116 Wuxi, P.R. China
 Phone: +86 510 68870699 Fax: +86 510 80257770
 Http: // www.coreline.dk E-mail: mail@coreline-valve.cn