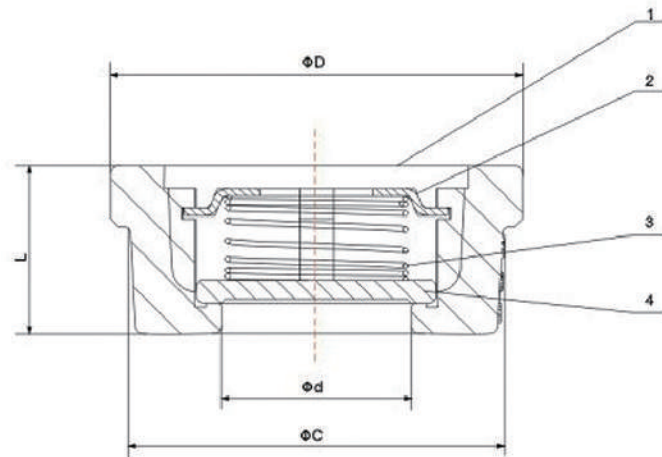


Fig.622 Wafer lift check valve



DN15-DN100

□ 技术参数 Technical Date

法兰标准: DIN PN16、25、40
ANSI 150/300Lbs
结构长度: DIN3202-K4
压力等级: PN40
材 料: CF8/CF8M

Flange standards: DIN PN16,25,40
ANSI 150/300Lbs
Structure length: DIN3202-K4
Pressure level: PN40
Material: CF8 CF8M

ITEM \ SIZE	DN15	DN20	DN25	DN32	DN40	DN50	DN65	DN80	DN100
最小开启压力 (mbar) MIN Control pressure	35	35	35	35	35	35	35	35	35
两端压差0.1bar 时的流量系数Kv(m ³ /h)	0.45	0.75	1.2	1.8	2.6	4.2	5.8	9.5	15

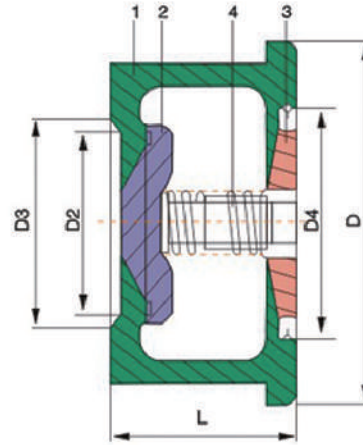
□ 主要外形尺寸 Main Dimension

ITEM \ SIZE	DN15	DN20	DN25	DN32	DN40	DN50	DN65	DN80	DN100
D	39	46	54	70	80	94	112	132	150
d	15	20	25	32	40	46	62	75	86
C	34	40	50	62	70	85	100	120	140
L	16	19	22	28	32	40	46	50	60

□ 零件清单 Material Part List

序号 Item	品名 Designation	材质 Material
1	阀体 Body	CF8/CF8M
2	压盖 Segment	316
3	弹簧 Spring	304/316
4	阀板 Disc	CF8/CF8M

Fig.622 Wafer lift check valve



DN15-DN250

□ 主要外形尺寸 Main Dimension

规格 Size	15	20	25	32	40	50	65	80	100	125	150	200	250
L	25	25	30	32	38	45	50	60	75	85	102	110	146
D	52	62	72	83	93	108	128	142	162	192	218	273	329

□ 零件清单 Material Part List

序号 Item	品名 Designation	材质 Material
1	阀体 Body	CF8/CF8M
2	阀板 Disc	CF8/CF8M
3	压盖 Segment	316
4	弹簧 Spring	304/316

Coreline

The contents of this catalogue are confidential and proprietary to Coreline, we reserve the right to change the specifications without any notice.

WUXI CORELINE VALVE CO., LTD.

Add: No.210 Xinyuan Road, Ehu Industrial Park, 214116 Wuxi, China

Phone: +86 510 88525336

Http: // www.coreline.dk

E-mail: mail@coreline-valve.cn